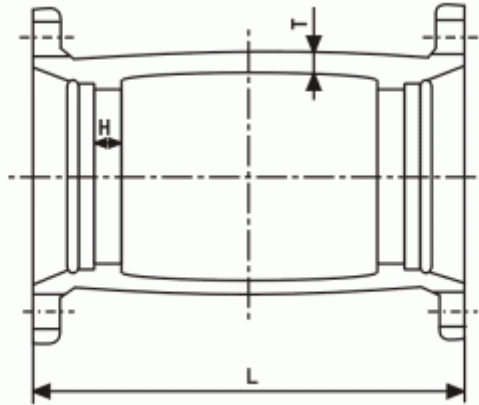




●Type K Collar



Unit: mm

Nominal size	Thickness	Dimensions		Weight (kg)
		D	T	
75	11	25	300	14.2
100	11	25	300	17.9
150	12	25	300	25.1
200	12	25	300	31.4
250	12	25	300	38.9
300	13	35	350	57.5
350	13	35	350	68.0
400	14	35	350	81.2
450	14	35	350	93.7
500	15	35	350	107.0
600	16	35	400	146.0
700	17	35	400	184.0
800	19	35	400	223.0
900	20	35	400	270.0
1000	21	40	450	348.0
1100	22	40	450	400.0
1200	23	40	450	455.0
1350	25	45	500	600.0
1500	27	45	500	717.0
1600	28	50	500	770.0
1650	29	50	500	827.0
1800	31	50	600	1080.0
2000	33	50	700	1460.0
2100	34	50	800	1750.0
2200	35	50	800	1950.0
2400	38	50	900	2430.0
2600	39	60	1000	3040.0